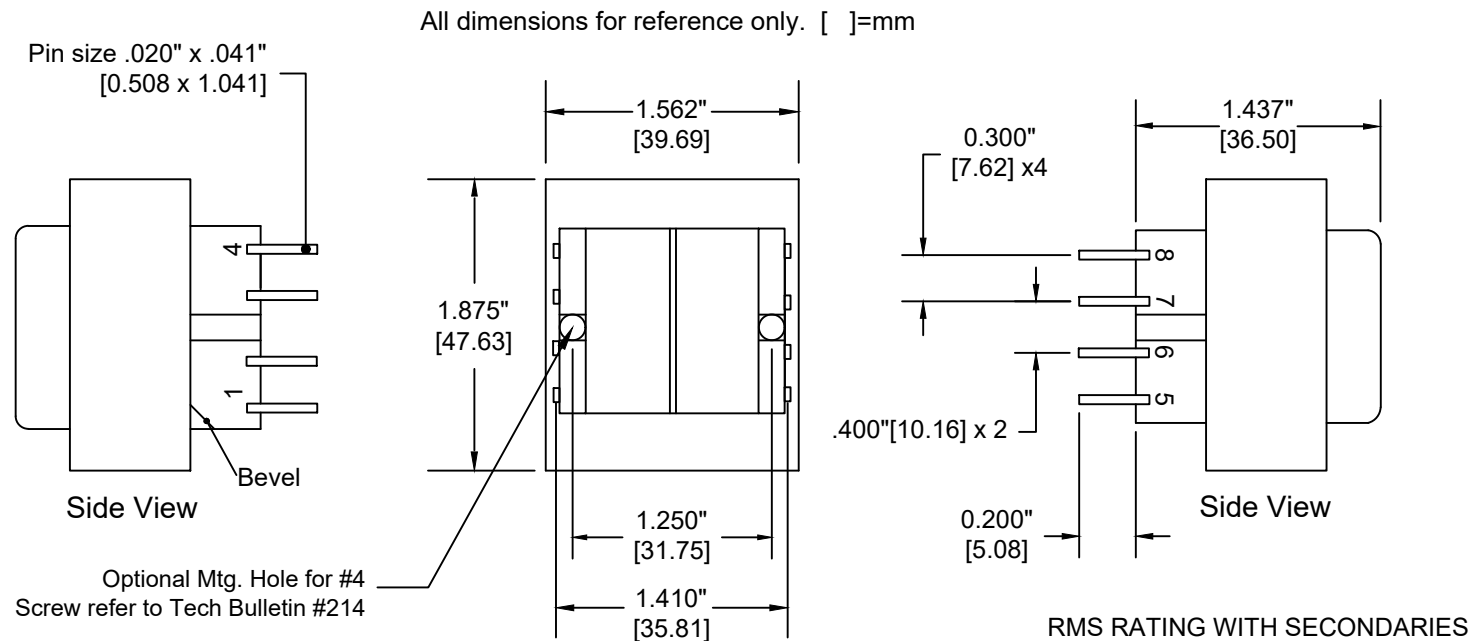


SPW-600-D Series : 12 VA Standard Profile PC Mount Power transformers with dual 115/230V primaries and dual secondaries for Domestic power applications. Split bobbin construction provides excellent primary to secondary isolation.

- Dielectric Strength - 2500Vrms Hipot primary - secondary
- Dual Primaries (must be used either Series or Parallel connected as one winding), 115/230V, 60 Hz
- Dual Secondaries - Series or Parallel
- UL Recognized CLASS B (130°C) Insulation system, UL 1446 (File E85315)
- Three flange bobbin design, no electrostatic shield required
- 100% Final Tested - Every transformer is tested on automated panels for induced voltage (shorted turns), exciting current, open circuit voltage (turns ratio), polarity (phasing) and dielectric strength
- Immersed in 100% solids epoxy resin to withstand most aqueous and solvent cleaning systems
- Other primary and secondary voltages may be custom designed to your specifications
- Anchor, insulating and crossover tapes. Two distinct, separate windings for each primary and secondary assure excellent Hipot capability between these windings
- Also available: Our internationally approved **SPW-3600 Series** which is pin-for-pin compatible with the Domestic SPW-600-D Series



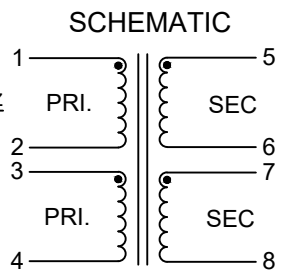
PRIMARY AND SECONDARY WINDINGS ARE DESIGNED TO BE EACH USED AS ONE WINDING WITH EITHER PARALLEL OR SERIES CONNECTIONS ONLY!

Dual Primary (-D)

INPUT VOLTAGE 1 - 4 (Tie 2-3) 230V, 60Hz
 INPUT VOLTAGE 1 - 4 (Tie 1-3, 2-4) 115V, 60Hz

SECONDARY PARALLEL CONNECTIONS:
 TIE 5-7, 6-8; OUTPUT 5-8

SECONDARY SERIES CONNECTIONS:
 TIE 6-7; OUTPUT 5-8



Part Number	VA	Series	Parallel
SPW-600-D	12	10Vct@1.2A	5V@2.4A
SPW-601-D	12	12.6Vct@1.0A	6.3V@2.0A
SPW-602-D	12	16Vct@800mA	8V@1.6A
SPW-603-D	12	20Vct@600mA	10V@1.2A
SPW-604-D	12	24Vct@500mA	12V@1.0A
SPW-605-D	12	28Vct@420mA	14V@840mA
SPW-606-D	12	36Vct@350mA	18V@700mA
SPW-607-D	12	48Vct@250mA	24V@500mA
SPW-608-D	12	56Vct@220mA	28V@440mA
SPW-609-D	12	120Vct@100mA	60V@200mA

SPW-600-D Series

Notes

Agency Approvals:

UL:
 -1446 (File E85315)
 -506 / 5085-2 General Purpose (File E96326)

CSA-C22.2 No. 66.1-06,
 66.2-06 General Purpose (File 063944)

FUSING THE TRANSFORMER TO MEET SAFETY AGENCY REQUIREMENTS IS THE RESPONSIBILITY OF THE CUSTOMER.

-3	Update CSA approval	8-7-15
-2	Elec. Text	3-16-15
-1	Add Opt. Mtg. hole	9-23-14

PREM
 MAGNETICS INCORPORATED
 3521 N. CHAPEL HILL RD.
 JOHNSBURG, IL 60051

PREM PART SPW-600-D
 DOMESTIC SERIES

Approved: R. RANDOW
 Scale: None
 Date: 08/04/2014